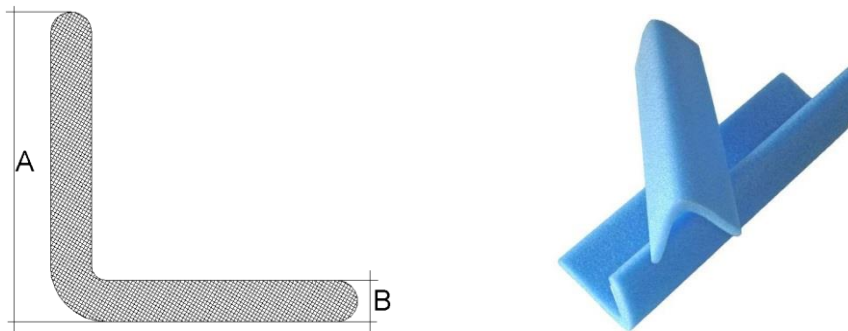


PACKAGING PROFILES

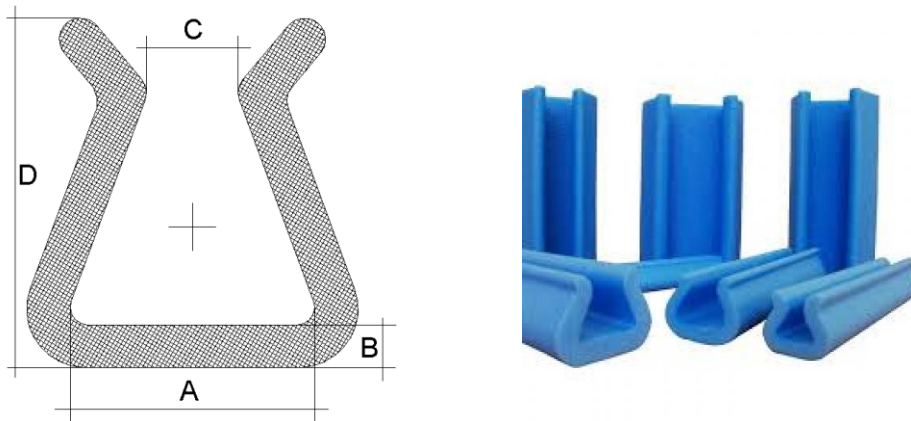
Fragmat-Cor packaging profiles are used to protect your products in transport from damages like punches, scratches... They are made from expanded polyethylene foam which gives them high impact resistance, shock absorption and light weight.

L profiles are suited for protection of edges and angles of products, such as furniture cabinets, drawers. They can be used in thermo shrinkable tunnels without losing their properties.



Products	Dimensions (mm)			Color
	A	B	Length	
L 75	72 – 78	8 – 10	1.970 – 2.030	blue
L 50	48 – 52	5 – 7	1.970 – 2.030	blue

U profiles are used for protection of wooden boards, tables, windows, doors, glasses...



Products	Dimensions (mm)				Length	Color
	A	B	C	D		
U 5-15	14 - 18	6 - 8	0 - 6	29 - 33	1.970 – 2.030	blue
U 15-25	22 - 26	10 - 12	7 - 13	33 - 37	1.970 – 2.030	blue
U 25-35	33 - 37	10 - 12	16 - 24	38 - 42	1.970 – 2.030	blue
U 35-45	39 - 43	10 - 14	20 - 30	46 - 50	1.970 – 2.030	blue
U 60-80	69 - 73	13 - 17	40 - 50	58 - 62	1.970 – 2.030	blue
U 80-100	90 - 94	16 - 20	50 - 70	68 - 72	1.970 – 2.030	blue

**Profile properties:**

- High impact resistance
- High resilience
- Low weight
- Very low water absorption (<1 vol.% in 40 days)
- Easy to use
- Resistant to wearing
- Resistant to most chemicals
- Recyclable

Packaging and storage:

Profiles are packed in cardboard boxes 600x400x2040 mm and should be stored indoors.